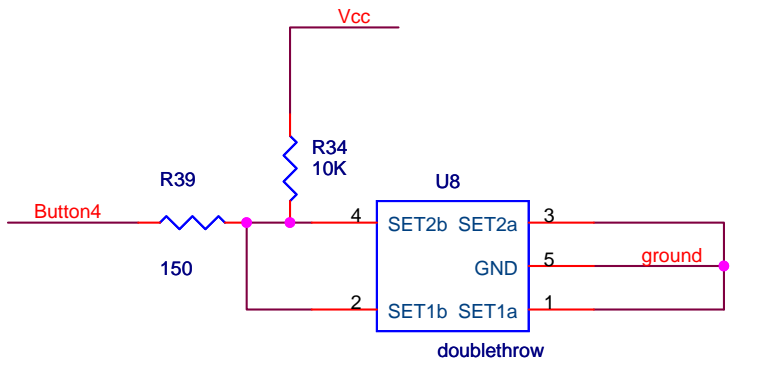
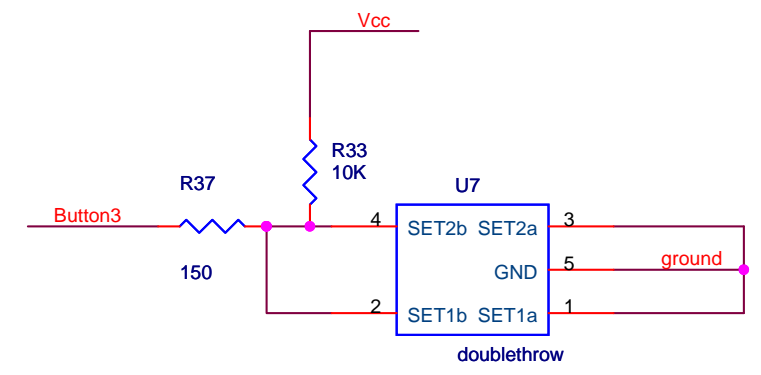
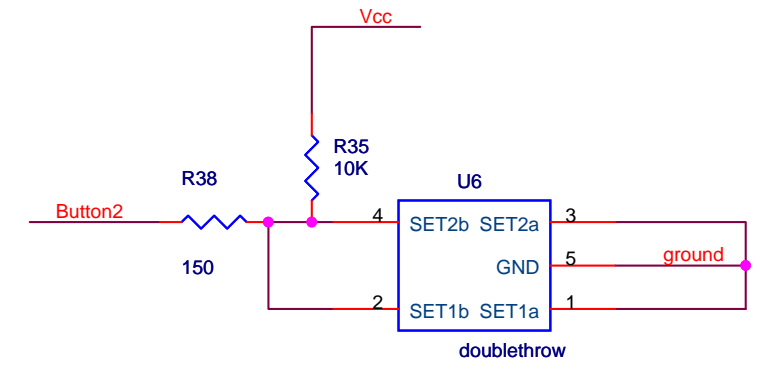
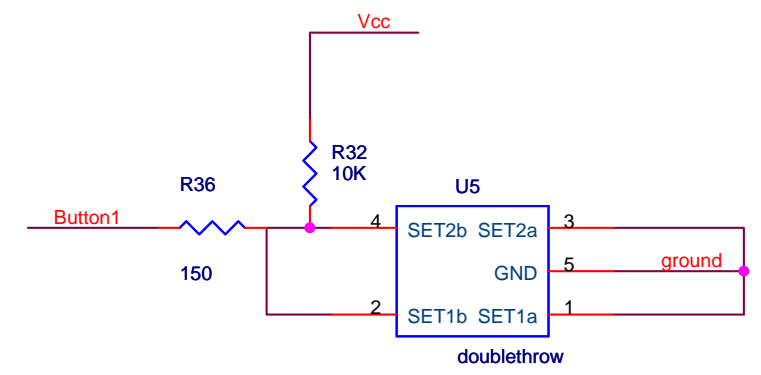
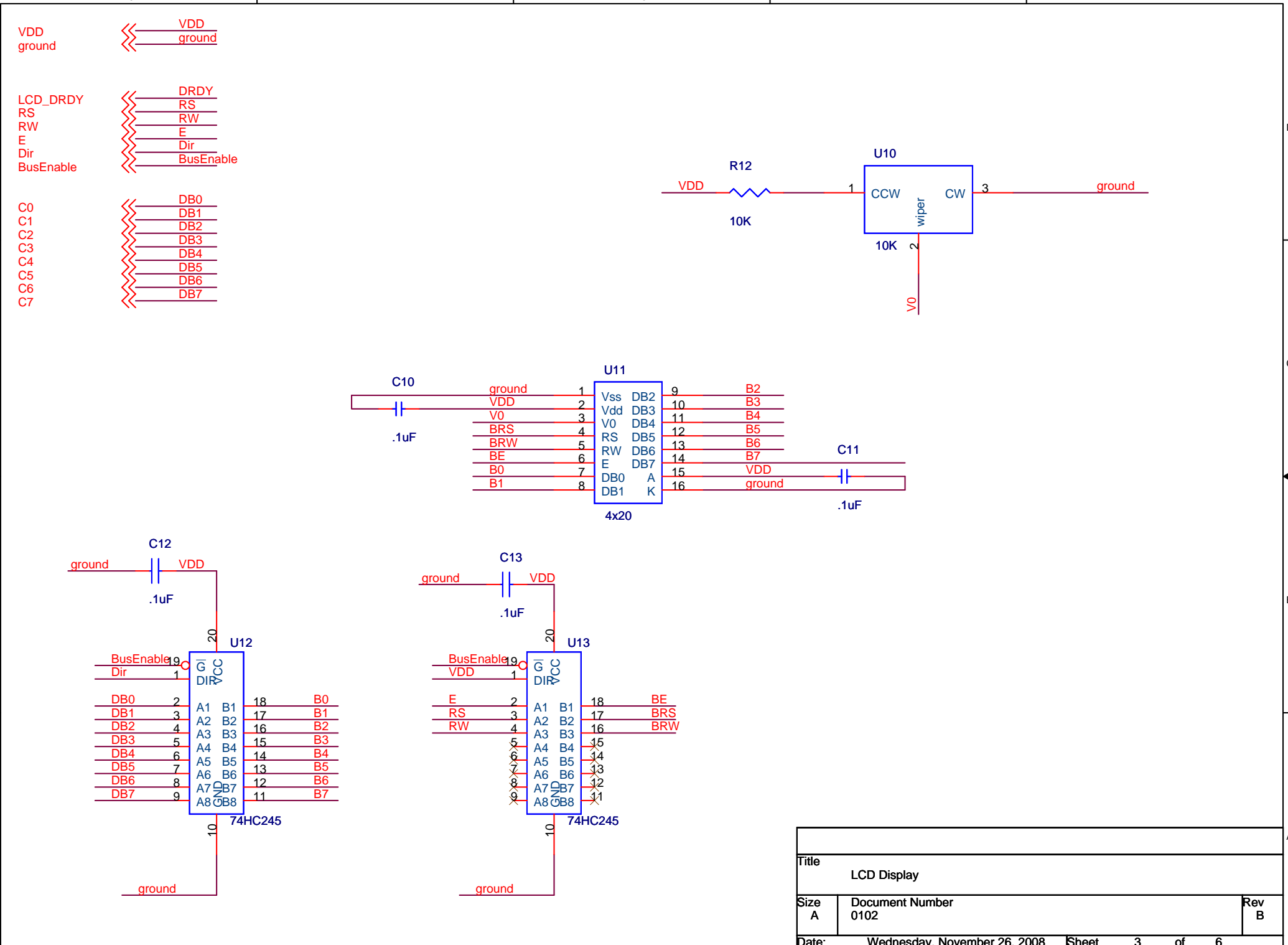


Title		
Power - Battery		
Size	Document Number	Rev
A	0101	B
Date:	Wednesday, November 26, 2008	Sheet 1 of 6

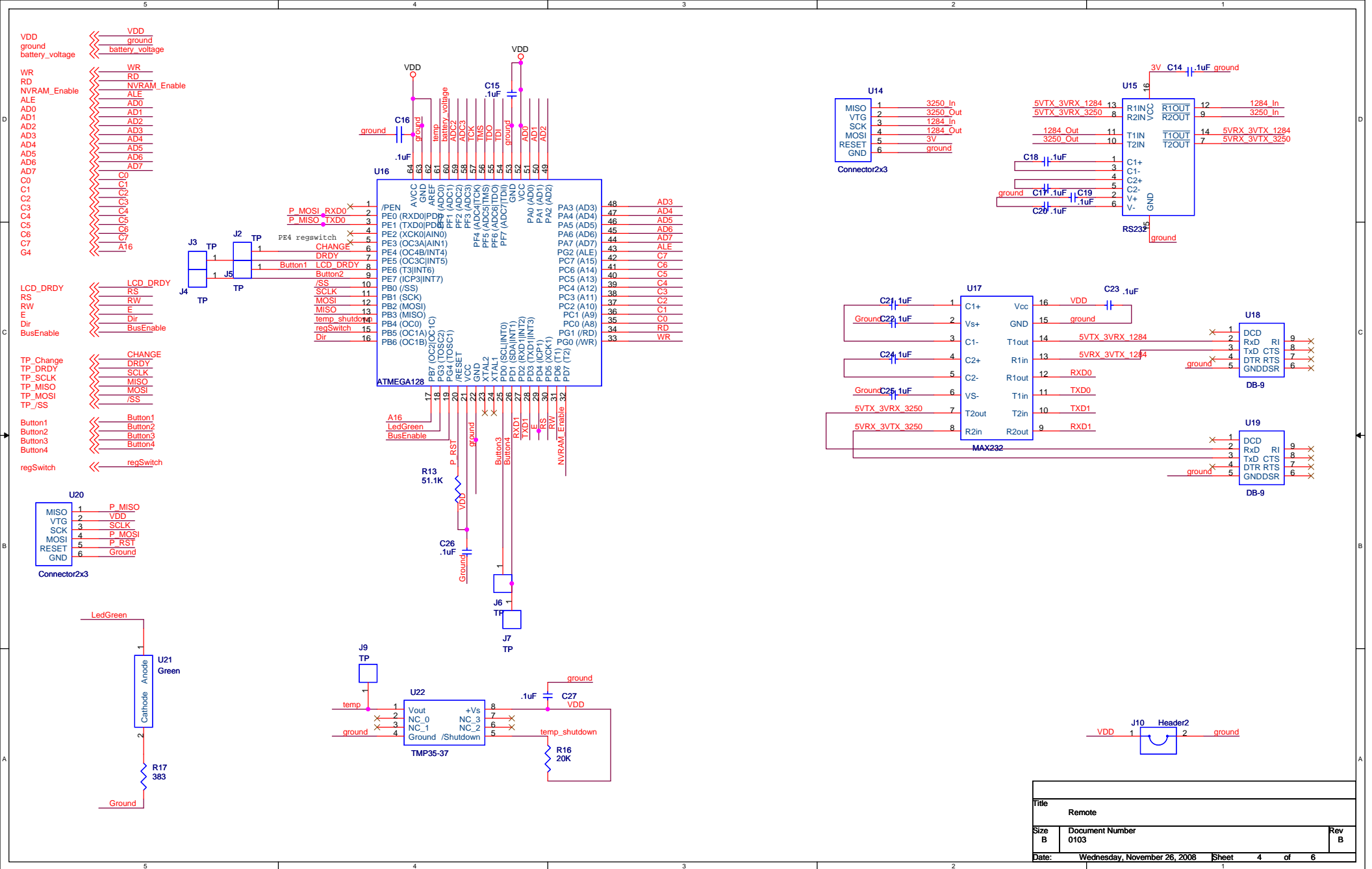
- Vcc
- ground
- Button1
- Button2
- Button3
- Button4



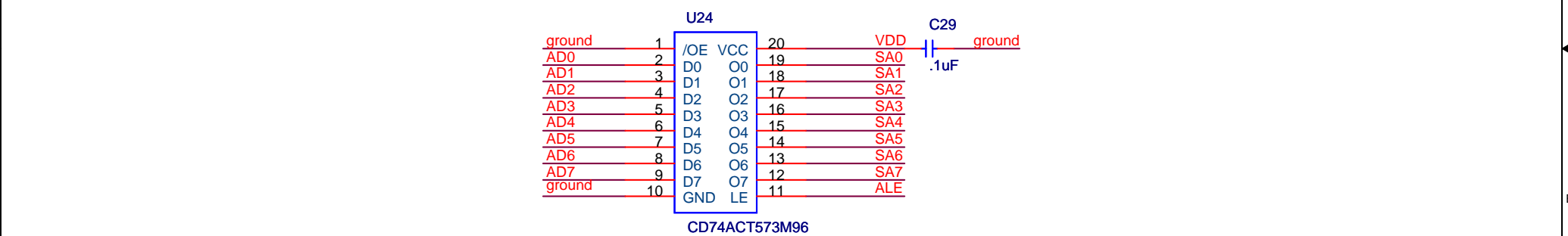
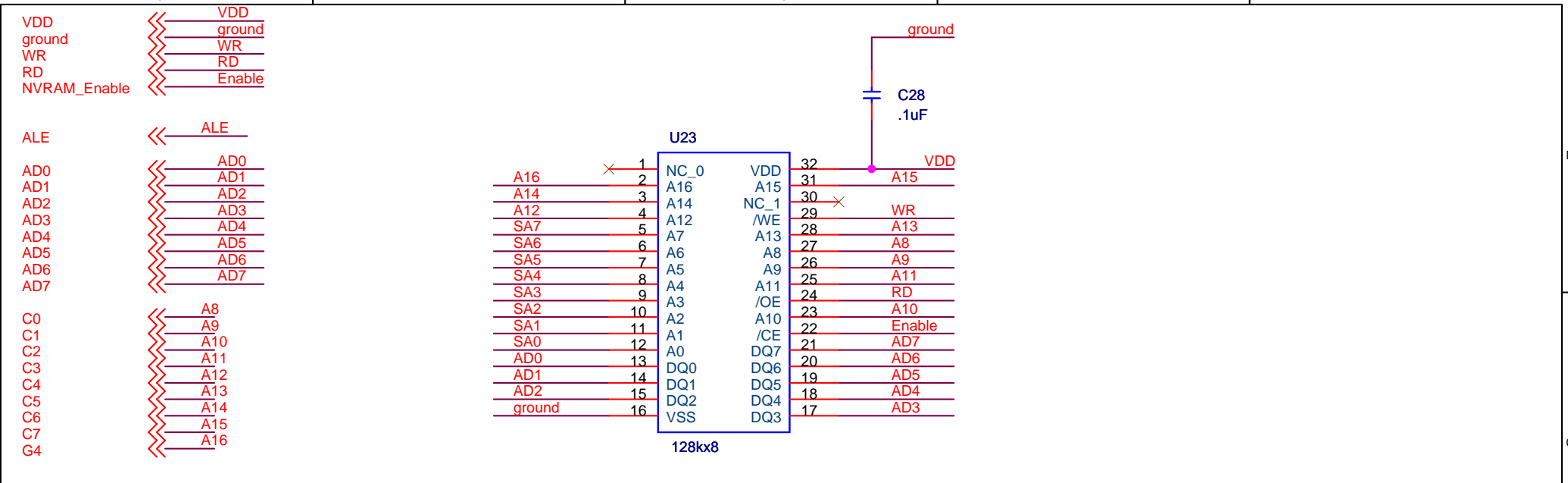
Title		
Backup Switches		
Size	Document Number	Rev
A	1006	A
Date:	Tuesday, November 04, 2008	Sheet 2 of 6



Title		
LCD Display		
Size	Document Number	Rev
A	0102	B
Date:	Wednesday, November 26, 2008	Sheet 3 of 6

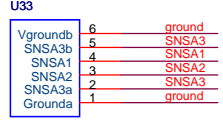
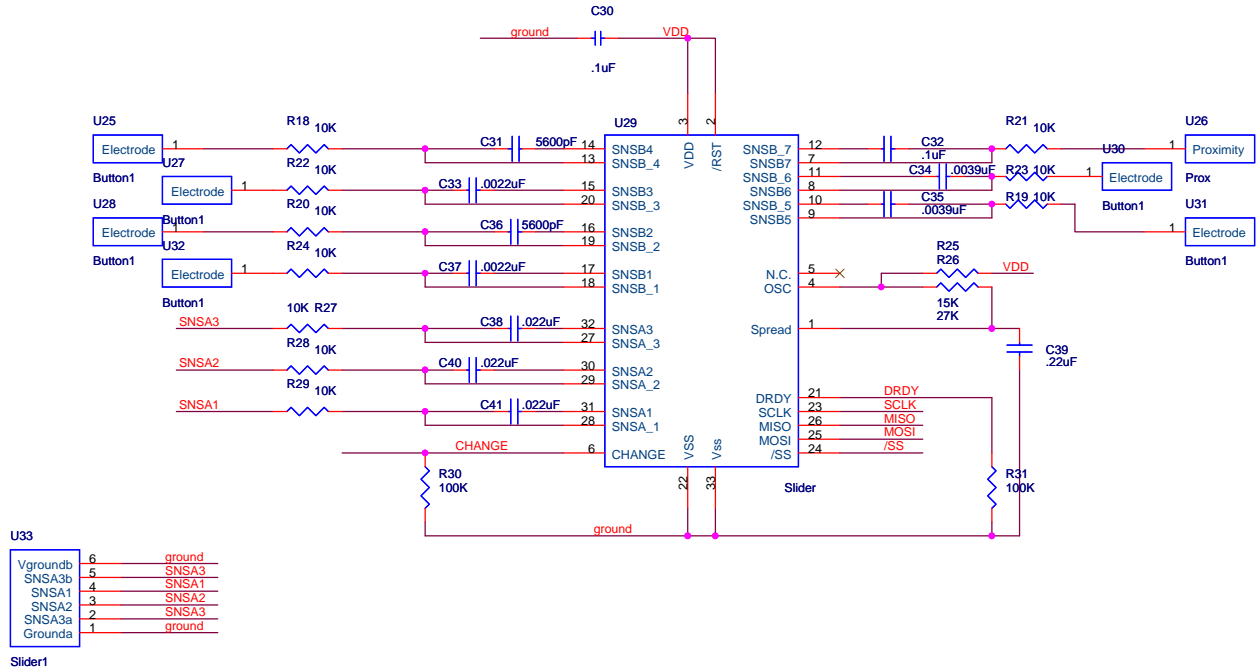


Title		
Remote		
Size	Document Number	Rev
B	0103	B
Date:	Wednesday, November 26, 2008	Sheet 4 of 6



Title		
NVRAM		
Size	Document Number	Rev
A	0104	A
Date:	Monday, December 01, 2008	Sheet 5 of 6

TP_VDD VDD
 TP_ground ground
 TP_CHANGE CHANGE
 TP_Change DRDY
 TP_DRDY SCLK
 TP_SCLK SCLK
 TP_MISO MISO
 TP_MOSI MOSI
 TP_SS /SS



Title		
Touchpad		
Size	Document Number	Rev
B	0105	A
Date:	Tuesday, November 04, 2008	Sheet 6 of 6