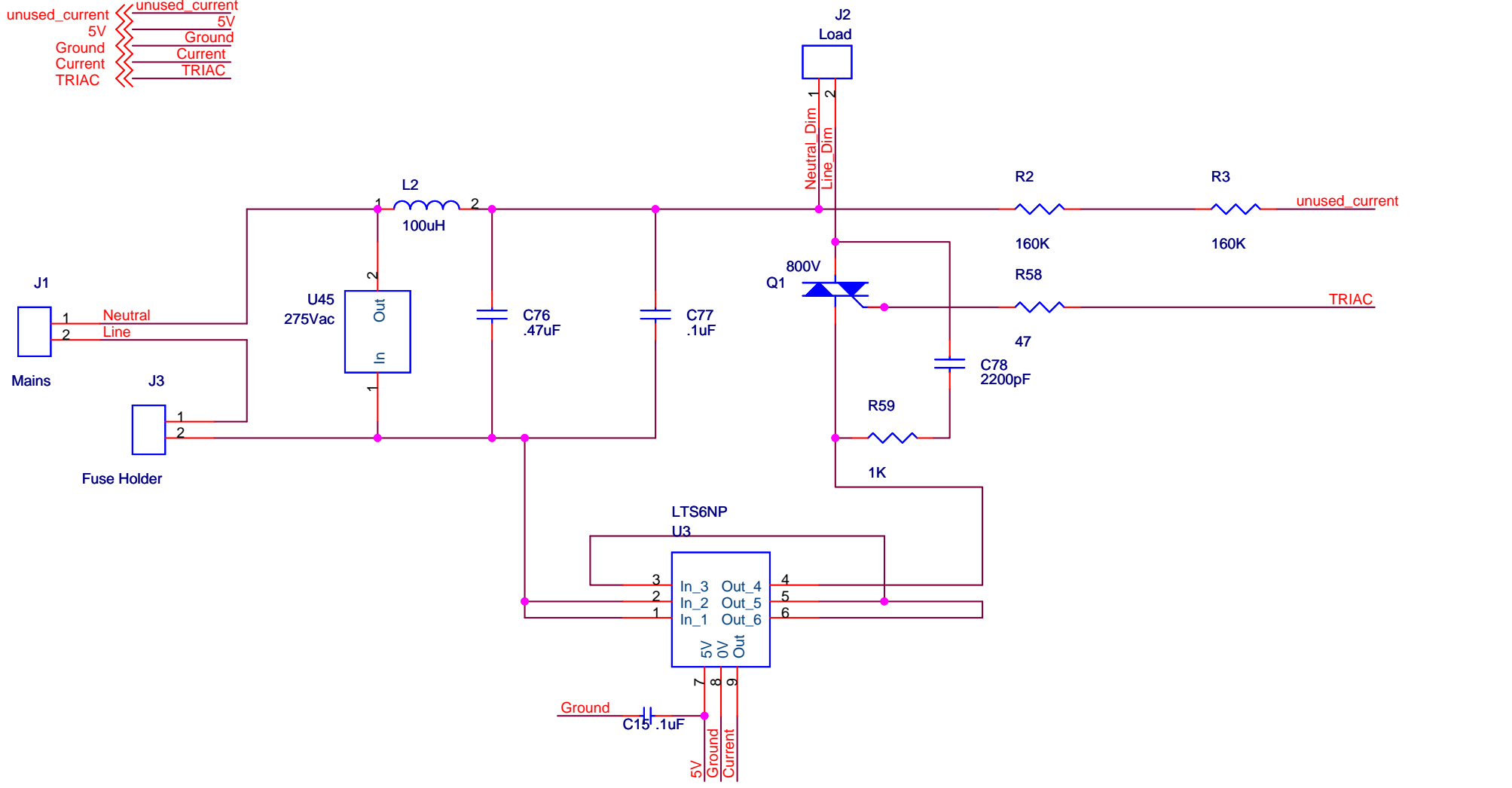


Title		
Digital Schematic		
Size	Document Number	Rev
B	0001	A
Date:	Wednesday, October 15, 2008	Sheet 1 of 2

unused_current
 5V
 Ground
 Current
 TRIAC



Title		
Mains Schematic		
Size	Document Number	Rev
A	0002	A
Date:	Tuesday, October 14, 2008	Sheet 2 of 2